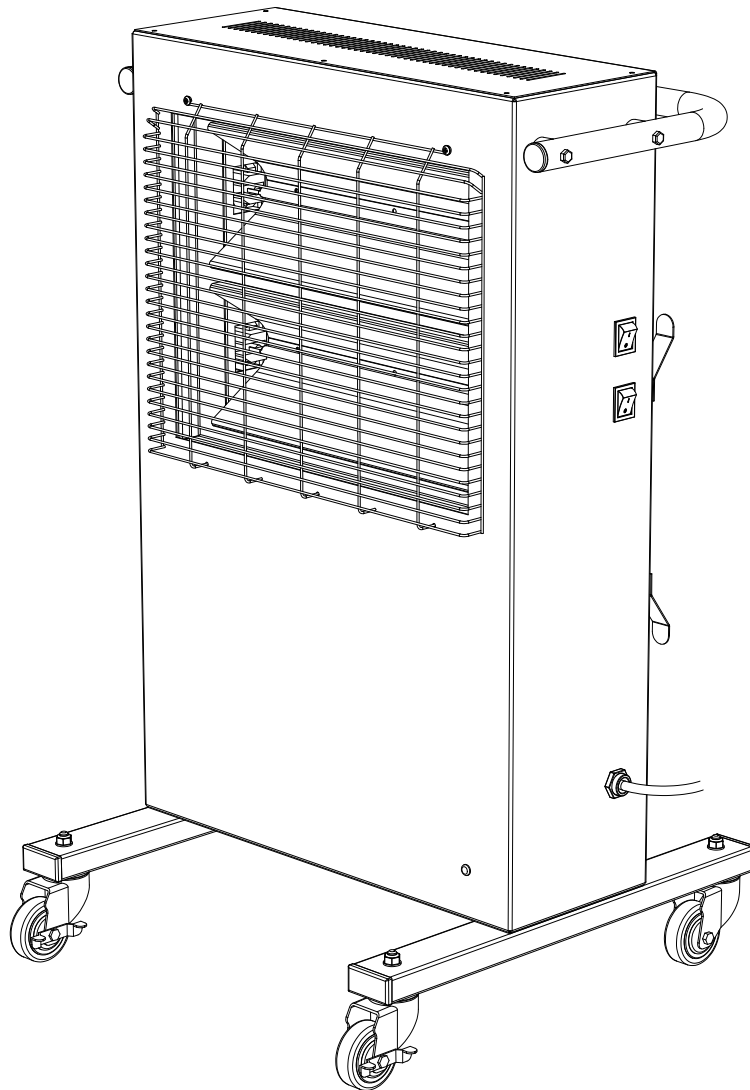


# RG308-18 PRODUCT MANUAL.



## QUARTZ INFRA-RED ELECTRIC HEATER

**THIS MANUAL COVERS:  
230V 2.8Kw,  
110V 1.4Kw & 2.8Kw MODELS.**

## WARNINGS

These instructions should be read by:

The specifying engineer.  
The installation engineer.  
The user.  
The service engineer.



- Failure to follow these instructions may result in risk of personal injury or damage to the equipment.
- Damage due to a Failure to follow these instructions will invalidate the warranty.
- The appliance must be serviced by qualified engineers in compliance with local regulations.
- The appliance must be switched off and disconnected from the power supply before any work is carried out.
- There are no user controls inside the appliance casing.
- Do not place anything on top of the appliance.
- Do not operate this appliance without first fitting the support legs and handle.
- Only use in an upright position.
- An air gap of at least 400mm should be allowed on the sides and rear of the unit to ensure a clear airflow. Do not site the unit close to combustible materials. The front of the machine must not be obstructed. Do not cover. This appliance gets very hot during use, site in a location where accidental contact is unlikely.  
**IMPORTANT !** The minimum safe distance at the front of the appliance is 2M.
- The fire guard reaches high temperatures. Care must be taken.
- The heater should not be moved whilst connected to the power supply.
- Do not operate with guards removed.
- This appliance must be earthed.
- Do not disconnect the appliance from the supply under load.
- Do not use this heater in the immediate surroundings of a bath, shower or swimming pool.
- For internal use only. Do not use out of doors.
- Extension cables should be correctly rated for the load, fully unwound and never run through water or over sharp edges.

## Specifications:

<b>TECHNICAL SPECIFICATIONS. RG308-18</b>			
	<b>Model</b>		
	<b>230V 13A</b>	<b>110V 32A</b>	<b>110V 16A</b>
<b>Heating capacity.</b>	<b>2.8kw</b>	<b>2.8kw</b>	<b>1.4kw</b>
<b>Power supply.</b>	<b>230V. 13A. 50Hz</b>	<b>110V. 32A. 50Hz</b>	<b>110V. 16A. 50Hz</b>
<b>Maximum running current.</b>	<b>12A</b>	<b>26A</b>	<b>13A</b>
<b>Weight .</b>	<b>16.54kg</b>	<b>17.06kg</b>	<b>16.6kg</b>
<b>IP Rating.</b>	<b>IP20</b>	<b>IP20</b>	<b>IP20</b>

## PACKAGE CONTENTS:

<b>HEATER CASING</b>	<b>1</b>
<b>SUPPORT LEG ASSEMBLY</b>	<b>2</b>
<b>HANDLE</b>	<b>1</b>
<b>QUARTZ BULB</b>	<b>2</b>
<b>FITTINGS PACK CONTAINING :</b>	
<b>M6 X 45mm HEXAGONAL BOLTS</b>	<b>4</b>
<b>PLASTIC SADDLE WASHER</b>	<b>4</b>
<b>M8 X 40mm HEXAGONAL BOLTS</b>	<b>4</b>
<b>INSTRUCTIONS</b>	<b>1</b>

## TOOLS REQUIRED:

<b>SNIPS</b>
<b>14mm SPANNER</b>
<b>10mm SPANNER</b>
<b>No2 PHILIPS SCREWDRIVER</b>
<b>Gloves</b>

**LVD 2014/35/EU**  
**EMC 2014/30/EU**

**STANDARDS APPLIED:**  
**EN 60335-1:2012+A11:2014**  
**EN 60335-2-30:2009+A11:2012**  
**EN 61000-6-3:2007+A1:2011+AC:2012**  
**EN 61000-6-1:2007**  
**EN 61000-3-2:2014**  
**EN 61000-3-3:2013**

## FITTING THE SUPPORT LEGS AND CASTORS:

**DO NOT OPERATE THE APPLIANCE WITHOUT FIRST FITTING THE SUPPORT LEGS.**  
**OPERATING THIS APPLIANCE WITHOUT THE SUPPORT LEGS WILL BLOCK THE BOTTOM AIR VENTS**  
**AND COULD CAUSE PERSONAL INJURY OR DAMAGE THE UNIT.**

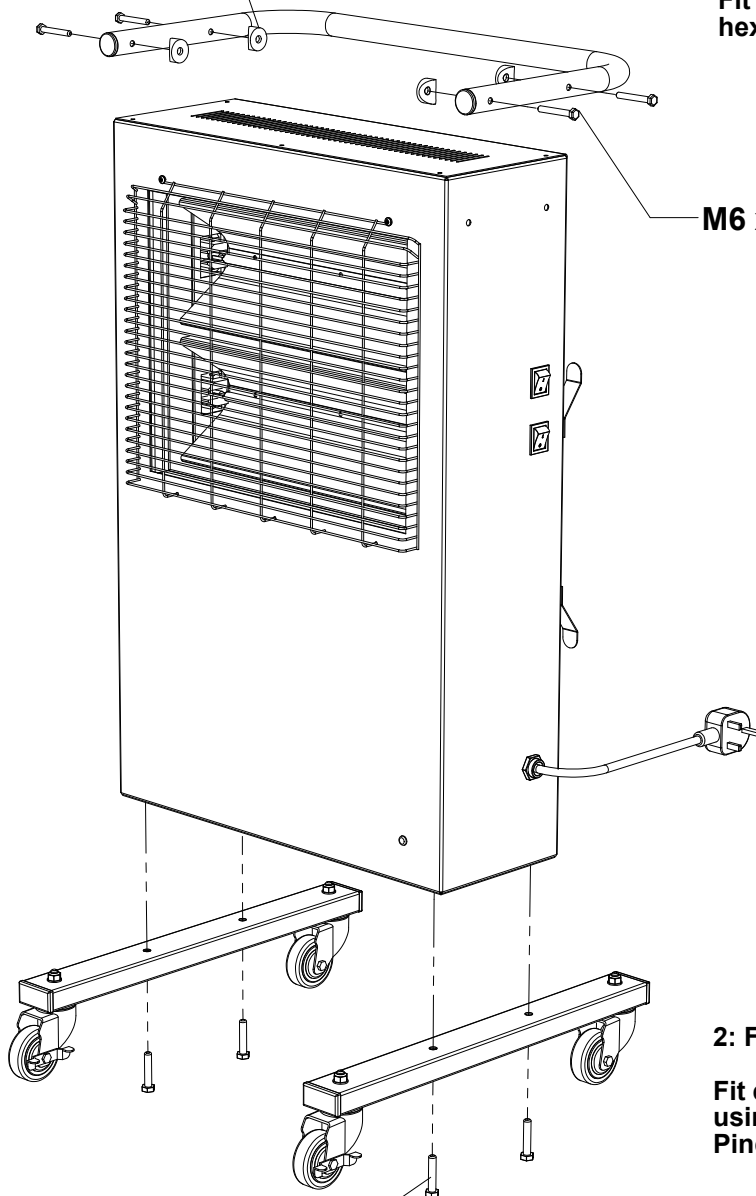
**DO NOT OPERATE THIS MACHINE WITHOUT FITTING THE HANDLE.  
THE TOP OF THIS APPLIANCE REACHES HIGH TEMPERATURES  
THAT ARE UNCOMFORTABLE TO TOUCH!**

**Saddle washer.**

**1: FITTING THE HANDLE TO THE MAINCASE:**

**Fit the handle to the case using 4x M6x45mm hexagonal bolts. Pinch tight.**

**M6 x 45mm bolts.**



**2: FITTING THE SUPPORT LEGS**

**Fit each leg support assembly to the case using 4x M8x40mm hexagonal bolts. Pinch tight.**

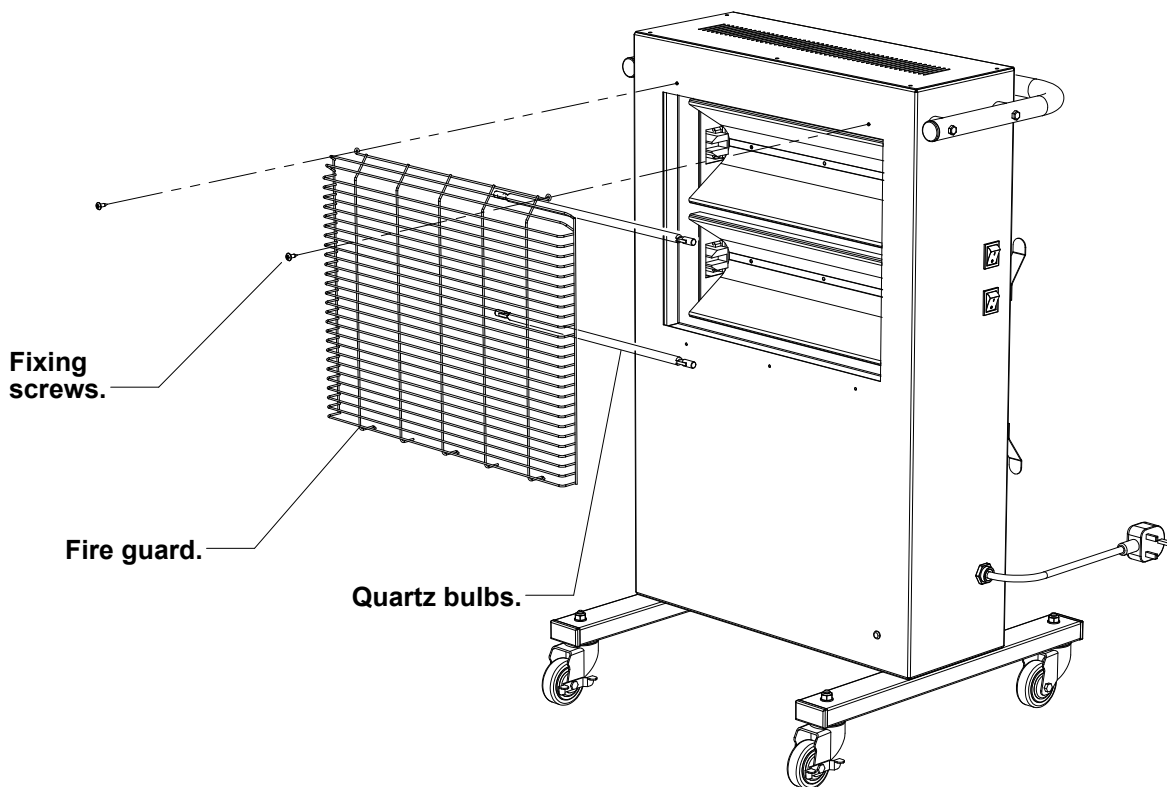
**M8 x40mm bolts.**

## **FITTING THE QUARTZ INFRA-RED BULBS:**

**ALWAYS ENSURE THE APPLIANCE IS ISOLATED FROM THE POWER SUPPLY BEFORE ATTEMPTING TO FIT OR CHANGE THE BULBS!**

The bulbs are supplied in cardboard tubes that are cable-tied to the inside of the fire guard. It will be necessary to remove the fire guard to access the bulbs.

It is important that the bulbs are free of grease or finger prints as these will cause hotspots and shorten the life of the bulb. Use gloves to handle the bulbs.



- 1: Remove the two fixing screws securing the fire guard with a No2 Philips screwdriver.**
- 2: Carefully lift away the fireguard and using snips remove the cable-ties securing the bulbs.**
- 3: Using gloves, remove the bulbs from their packaging.**
- 4: Fit the bulbs into the spring loaded ceramic holders at either end of the reflectors. Ensure they are correctly seated.**
- 5: Re-fit the fire guard.**

**DO NOT OPERATE THE APPLIANCE WITHOUT THE FIRE GUARD!**

## **OPERATING THE HEATER:**

- Site the appliance on a firm level surface and apply the castor brakes. Do not operate the machine without applying the brakes.
- Connect the appliance to the power supply. Check the dataplate for the correct supply. The supplier recommends that extra protection be provided by the use of a 30mA RCD. Ensure the power indicator lamp is illuminated.
- The heater has two heat settings, half power and full power. These are controlled by two rocker switches located on the side of the machine.
- Care should be taken. The fire guard can reach high temperatures during operation. This is normal.

## **SAFETY DEVICES:**

This appliance is fitted with a tilt switch. This will prevent the machine from operating on extreme gradient or lying down.

## **MAINTENANCE:**

**ALWAYS ISOLATE THE APPLIANCE FROM THE POWER SUPPLY  
BEFORE CARRYING OUT MAINTENANCE!**

It is important that the bulbs are free of grease or finger prints as these will cause hotspots and shorten the life of the bulb. Use gloves to handle the bulbs.

Regular checks of the power cable should be carried out. If there are any signs of damage the cable should be replaced.

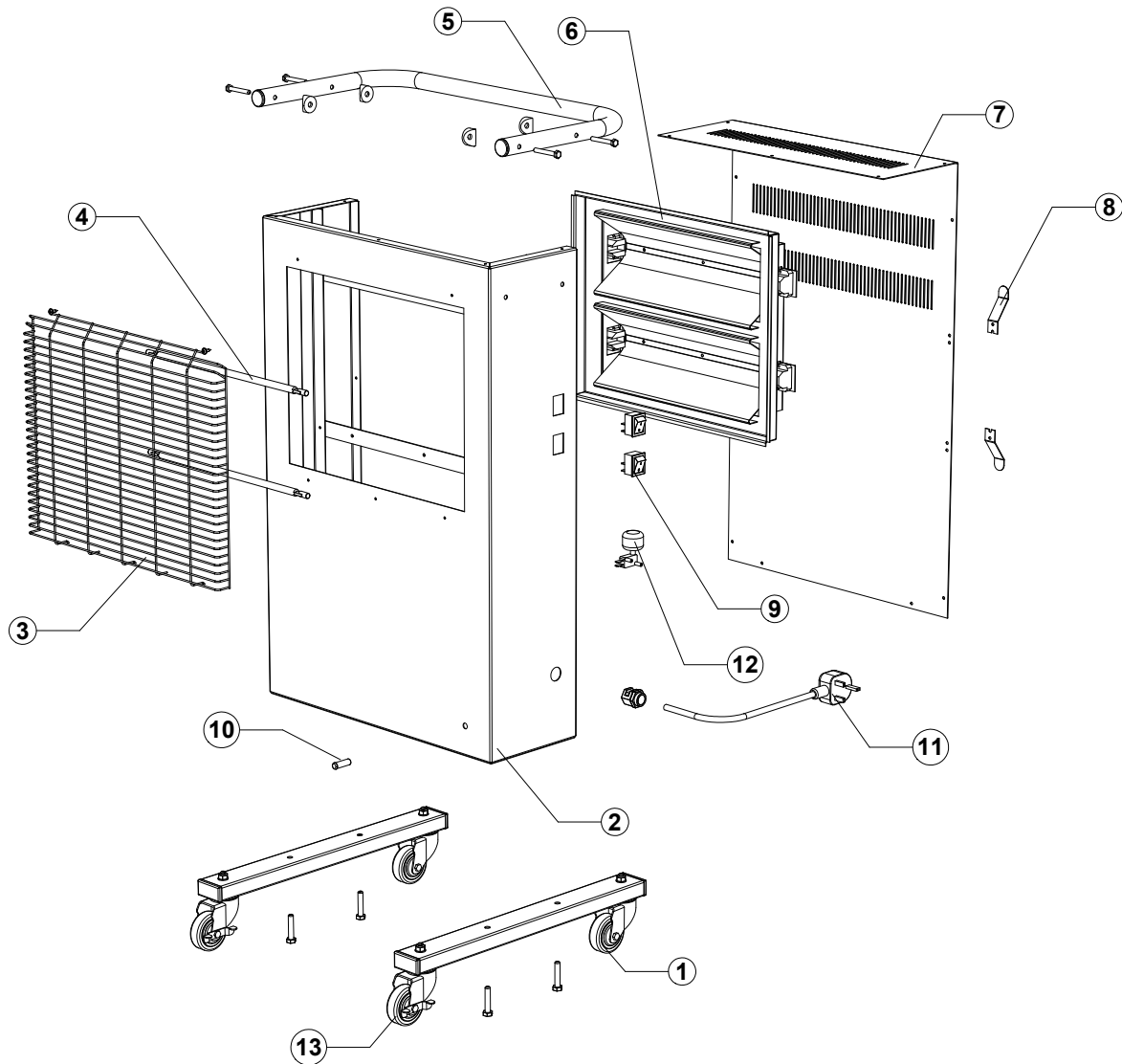
## **CLEANING THE REFLECTORS:**

- The reflectors should be cleaned regularly.
- Ensure the heater is cool before commencing work.
- Disconnect the heater from the power supply.
- Remove the fire guard and bulbs. Clean with a soft dry cloth.
- Do not use abrasive cleaners as a scratched reflector may cause the appliance to overheat

## **REPLACING THE HEATING BULBS:**

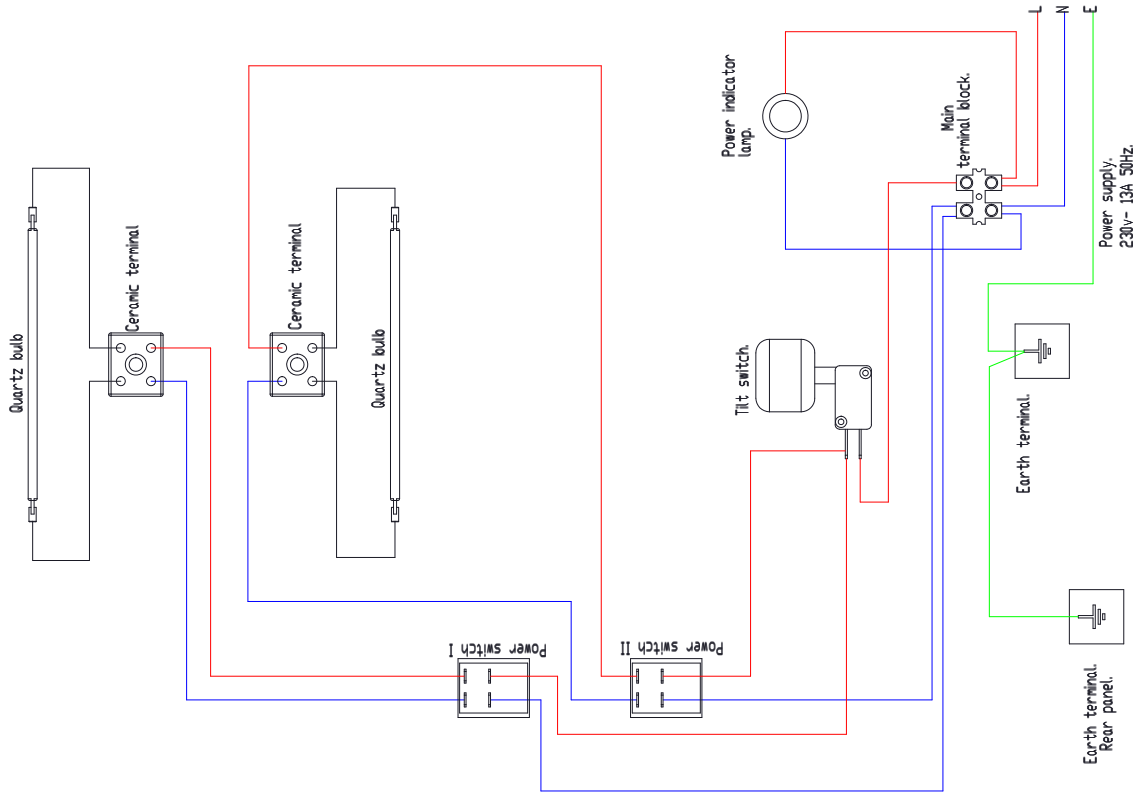
- Ensure the heater is cool before commencing work.
- Disconnect the heater from the power supply.
- See page 5.

## RG308-18 Spare Parts:

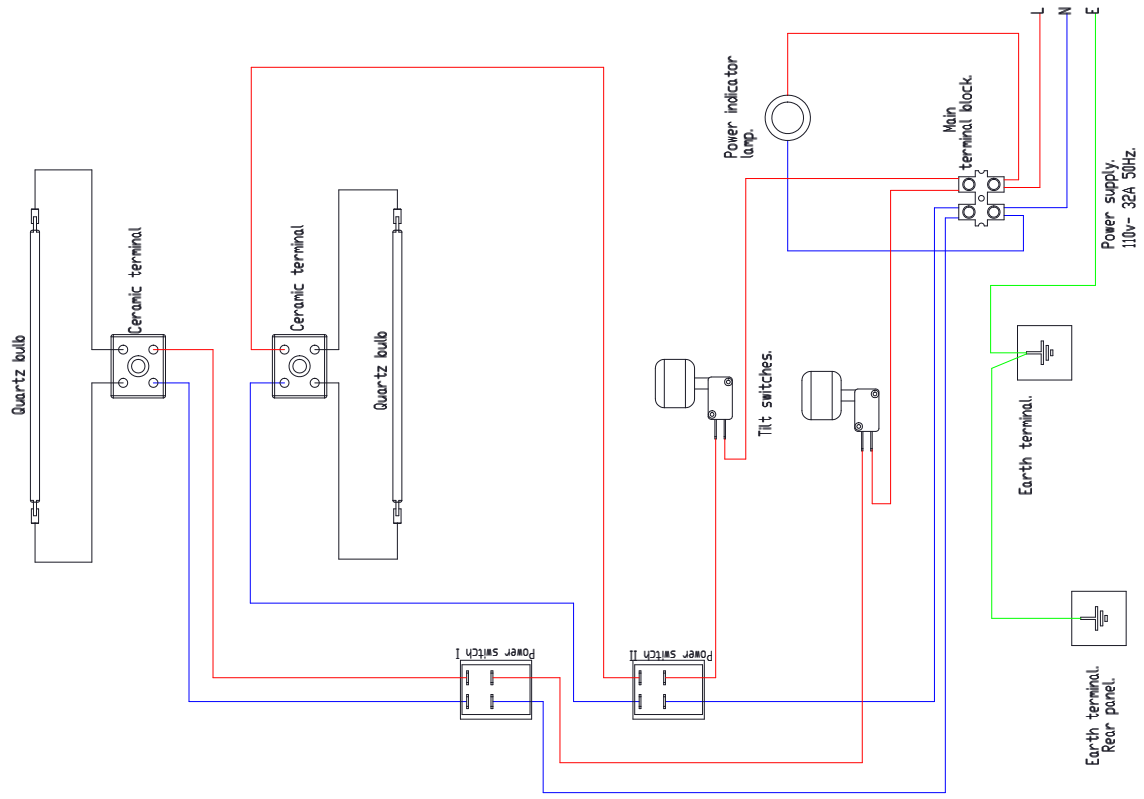


Drawing No	Description	Part No
1.	Swivel Castor.	ME010224
2.	Steel case.	BW0202111
3.	Fire Guard.	BW020809
4.	Heating bulb. 1400watts. 230v.	HE010220
4.	Heating bulb. 1400watts. 110v. (Not Shown)	HE010221
4.	Heating bulb. 700watts. 110v. (Not Shown)	HE010222
5.	Tube Handle.	BW0202112
6.	Reflector Assembly.	BW0202113
7.	Rear Panel.	BW0202114
8.	Cable Ear.	BW0202115
9.	Illuminated Rocker Switch.	EL030147
10.	Indicator Lamp. 230v.	EL030711
10.	Indicator Lamp. 110v. (Not Shown).	EL030712
11.	Mains Cable. 13A 230v. UK moulded plug.	EL020129
11.	Mains Cable. 32A 110v. (Not Shown).	EL020130
11.	Mains Cable. 16A 110v. (Not Shown).	EL020131
12.	Tilt Switch.	EL030148
13.	Locking Castor.	ME010225

RG308-18 230v. WIRING DIAGRAM



RG308-18 110v.32A. WIRING DIAGRAM





RG308-18 110v.16A. WIRING DIAGRAM

